

mini compact

portable electronic organ

D.W.G. NO.	FARFISA
	— ASPIC TERME—ANCONA — ITALY—
<i>SM-52</i>	SCHEMATIC DIAGRAM
<i>10.5.60</i>	FOR MODEL MINICOMPACT

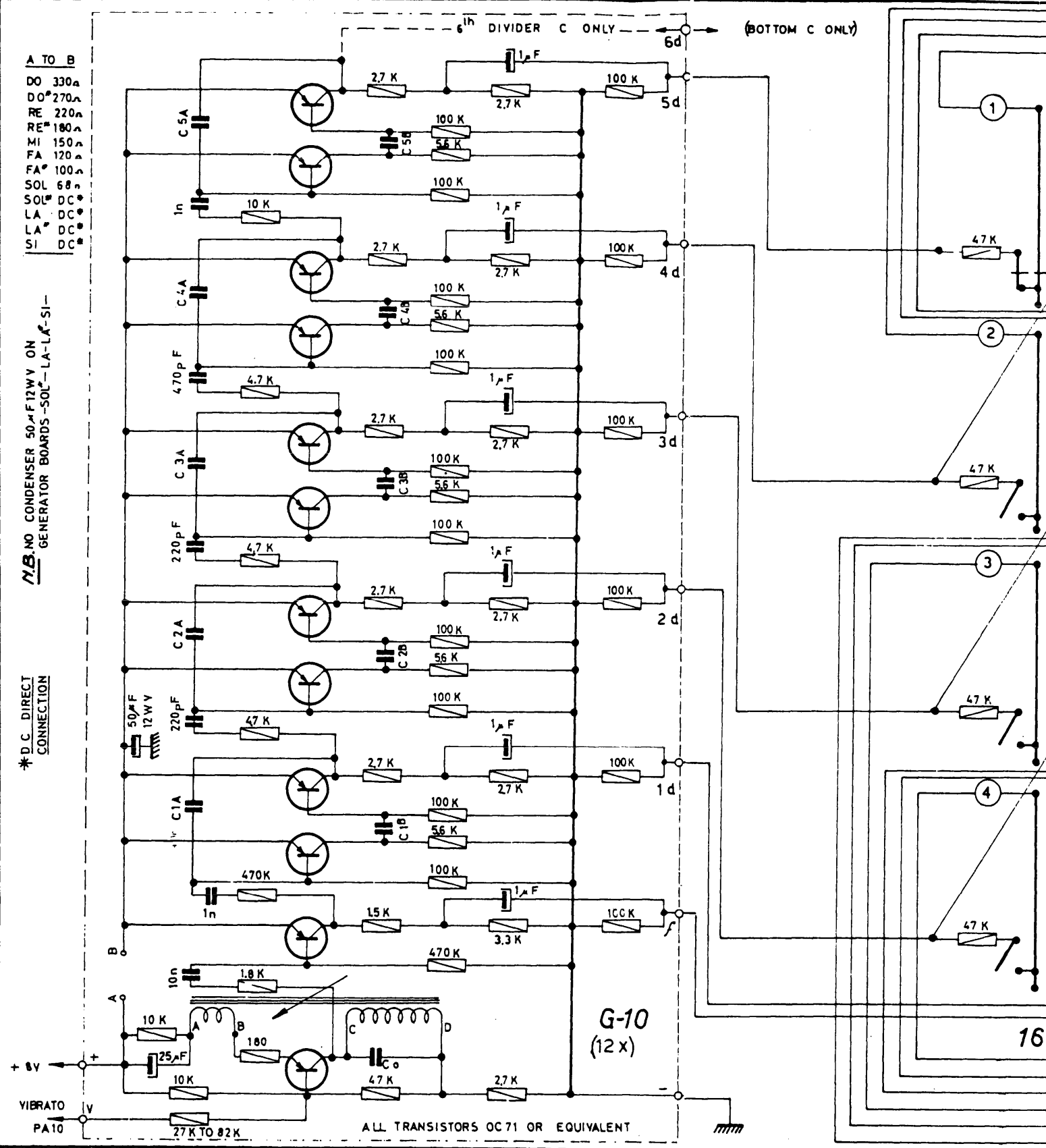
Reproduction or communication to others of the contents of this design is prohibited

	C ₀	C1 A	C1 B	C2 A	C2 B	C3 A	C3 B	C4 A	C4 B	C5 A	C5 B	C6 A	C6 B
C DO	7.5 n	5.6 n	6.8 n	10 n	12 n	22 n	27 n	39 n	47 n	82 n	100 n	150 n	170 n
C [#] DO [#]	16 n	8.2 n	12 n	18 n	27 n	33 n	39 n	68 n	82 n	120 n	150 n		
D RE	14.7 n	8.2 n	10 n	15 n	22 n	33 n	39 n	68 n	82 n	120 n	150 n		
D [#] RE [#]	13 n	8.2 n	10 n	15 n	22 n	33 n	39 n	68 n	82 n	120 n	150 n		
E ^b MI	11.2 n	6.8 n	10 n	15 n	22 n	27 n	39 n	56 n	82 n	120 n	150 n		
F FA	10 n	6.8 n	10 n	15 n	18 n	27 n	39 n	56 n	68 n	120 n	150 n		
F [#] FA [#]	9 n	6.8 n	10 n	12 n	18 n	27 n	33 n	56 n	68 n	100 n	120 n		
G SOL	7.8 n	5.6 n	10 n	12 n	15 n	22 n	33 n	56 n	68 n	100 n	120 n		
G [#] SOL [#]	7.1 n	5.6 n	8.2 n	12 n	15 n	22 n	33 n	47 n	68 n	82 n	100 n		
A LA	5.9 n	5.6 n	8.2 n	10 n	15 n	22 n	33 n	47 n	68 n	82 n	100 n		
A [#] LA [#]	10 n	5.6 n	6.8 n	10 n	12 n	22 n	33 n	47 n	56 n	82 n	100 n		
B. SI	8.3 n	4.7 n	6.8 n	8.2 n	12 n	18 n	27 n	39 n	47 n	82 n	100 n		

VALUES OF G 10 GENERATOR BOARDS' DIVIDERS

A TO B	
DO	330 Ω
DO	270 Ω
RE	220 Ω
RE	180 Ω
MI	150 Ω
FA	120 Ω
FA	100 Ω
SOL	68 Ω
SOL	DC
LA	DC
LA	DC
S	DC

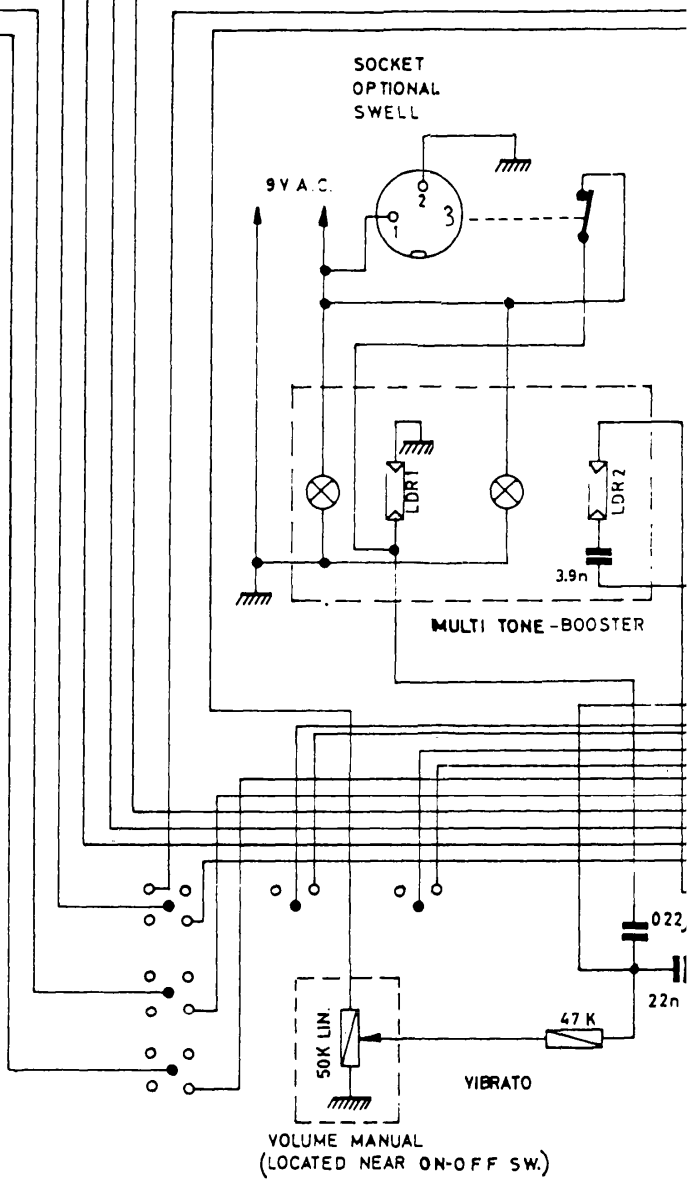
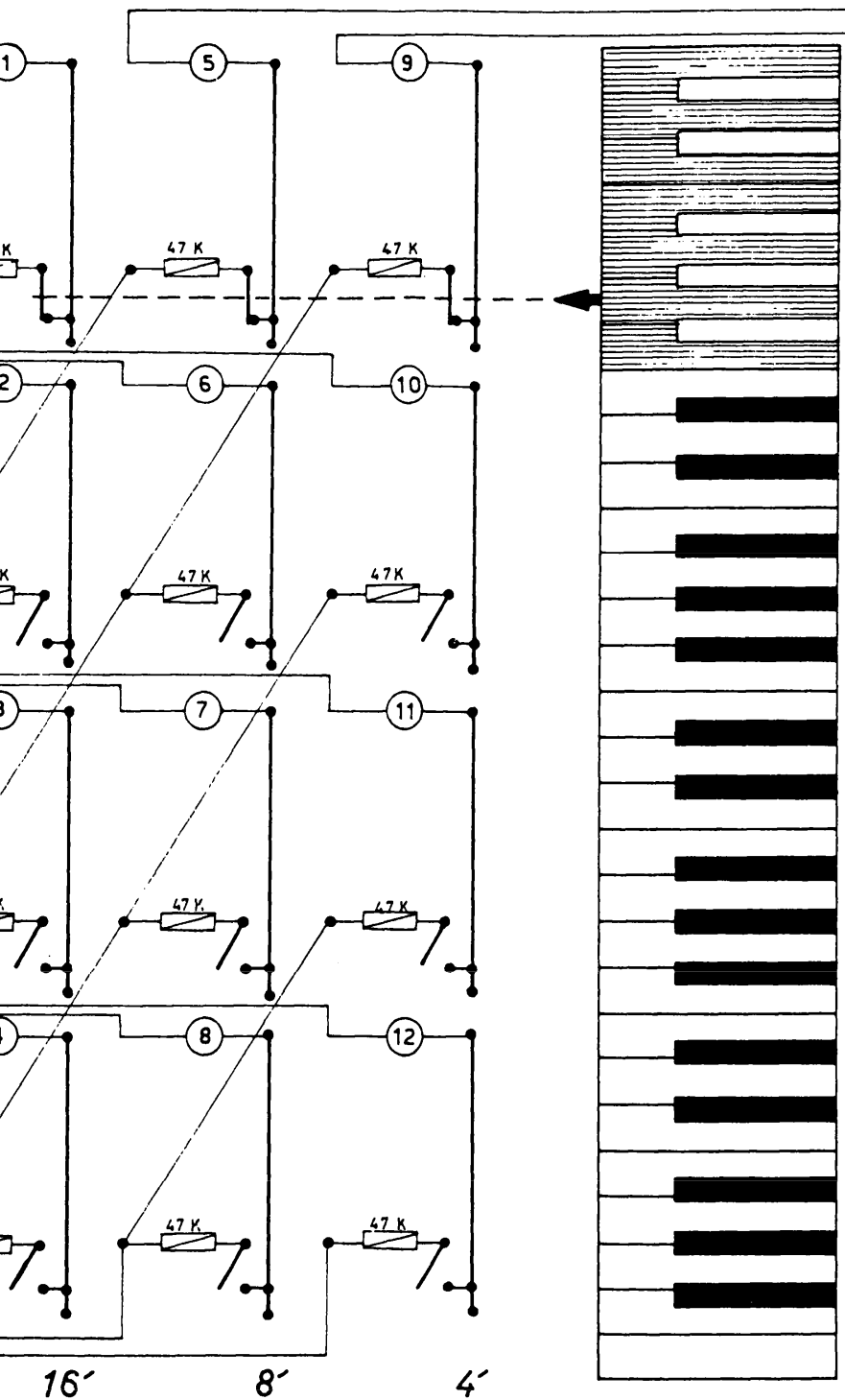
*D.C. DIRECT CONNECTION
 N.B. NO CONDENSER 50 μ F 12WV ON GENERATOR BOARDS -50C-LA-LA-S1-



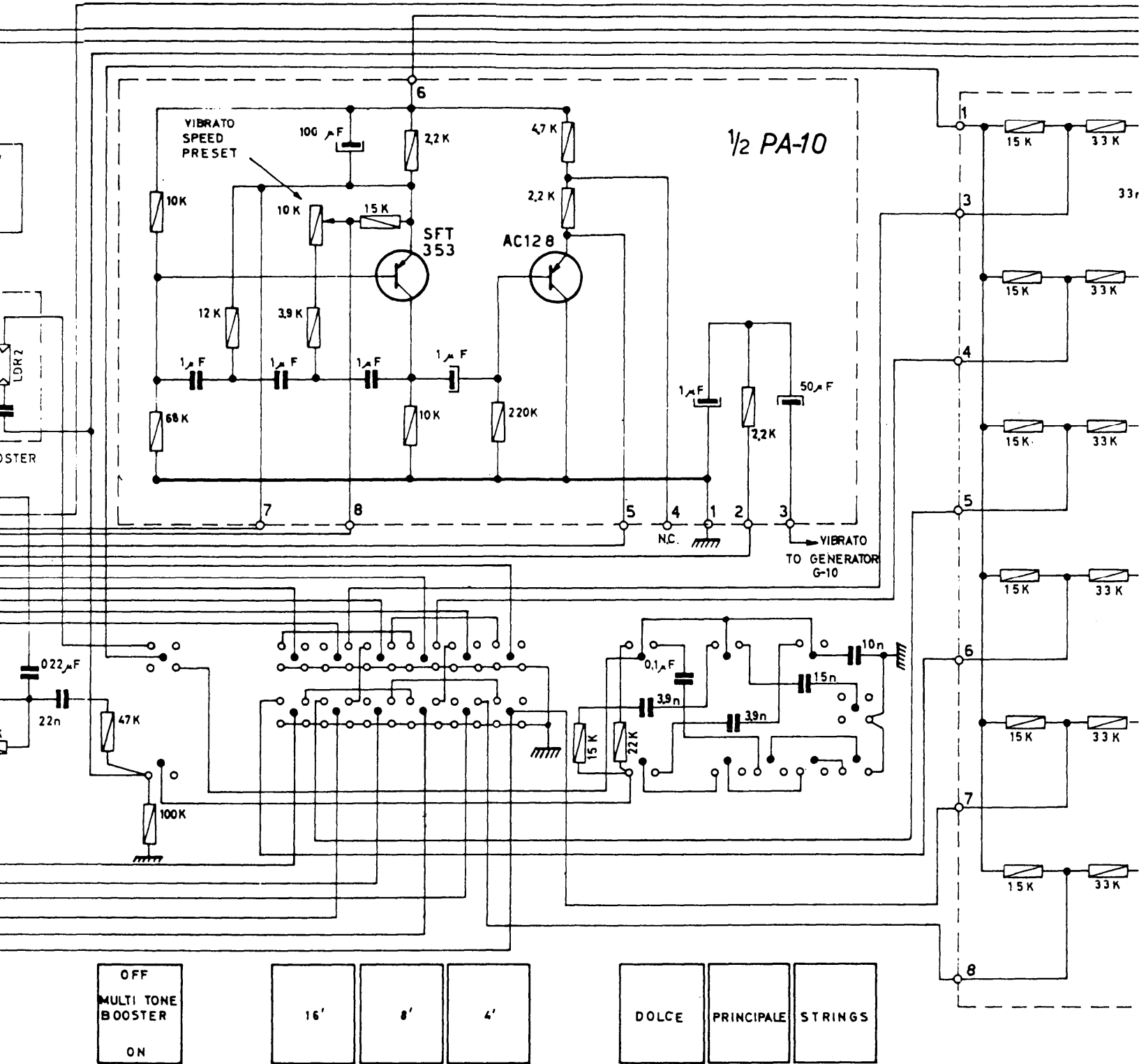
G-10
(12 x)

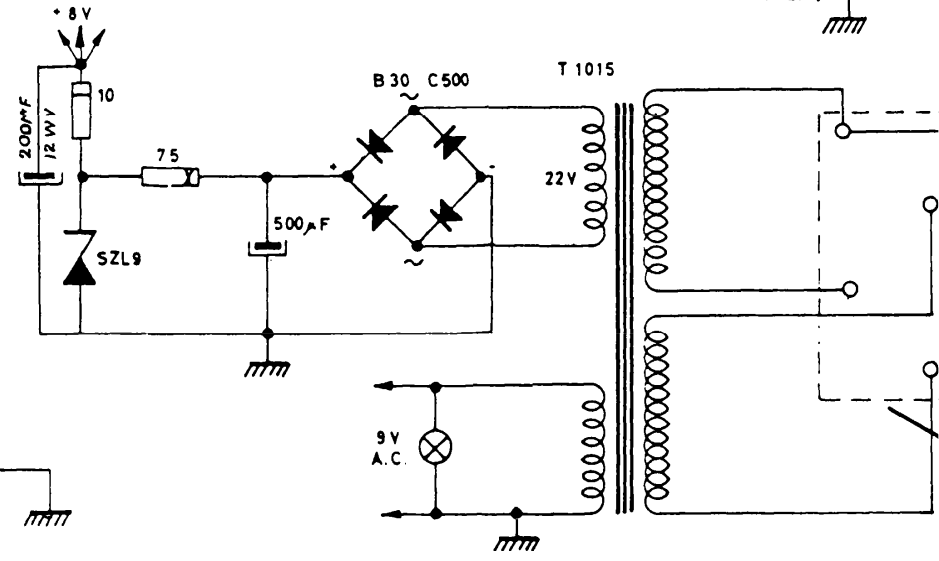
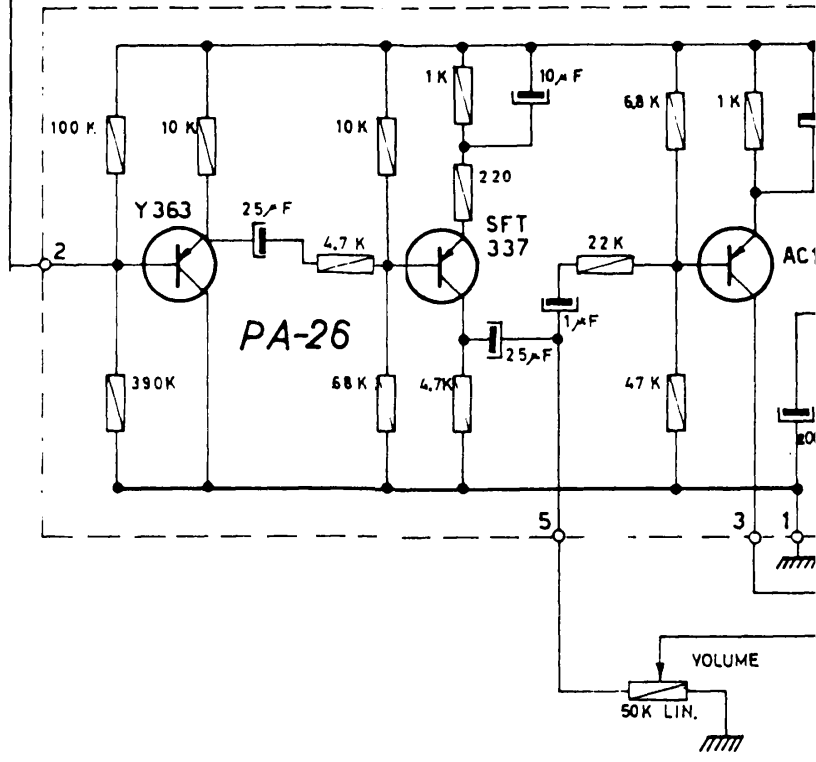
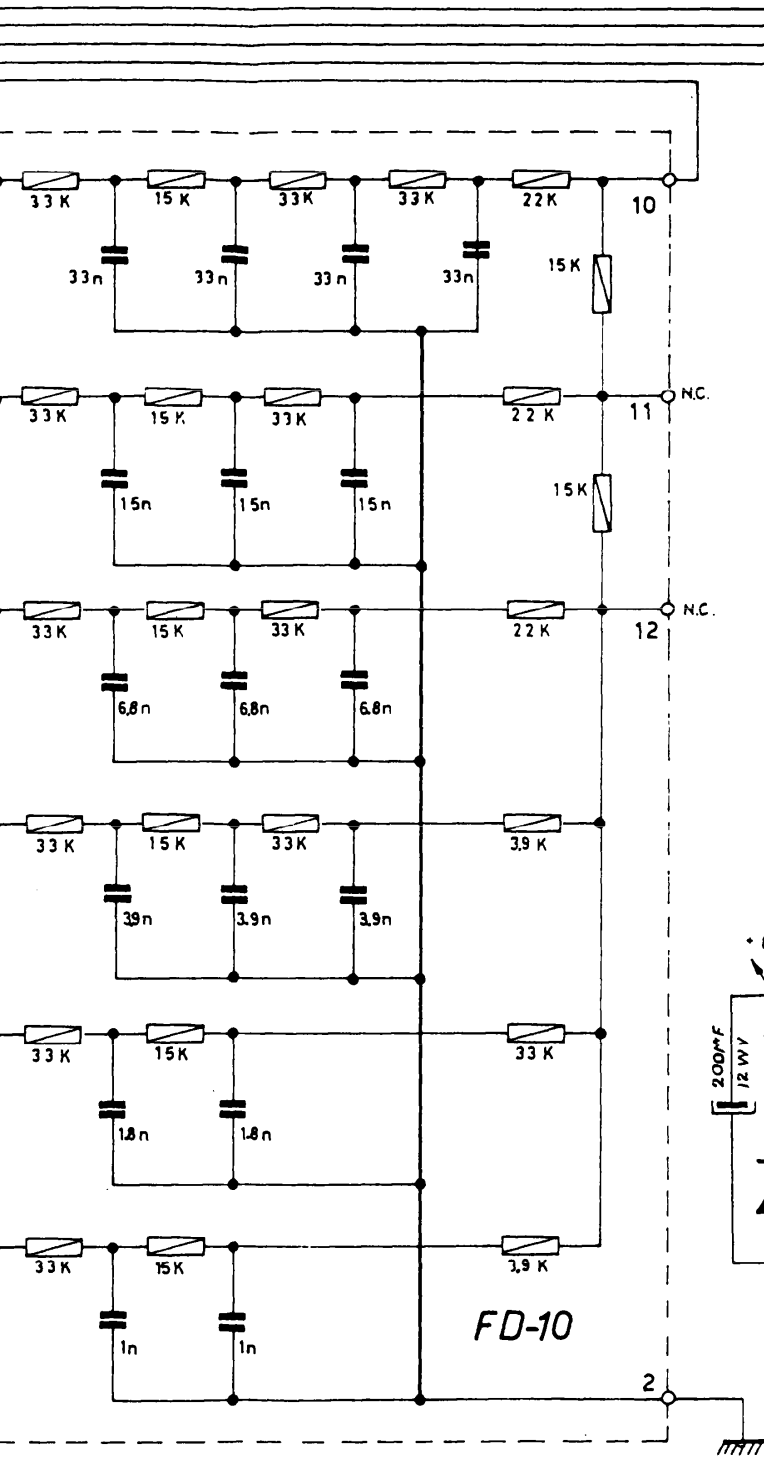
ALL TRANSISTORS OC 71 OR EQUIVALENT

16

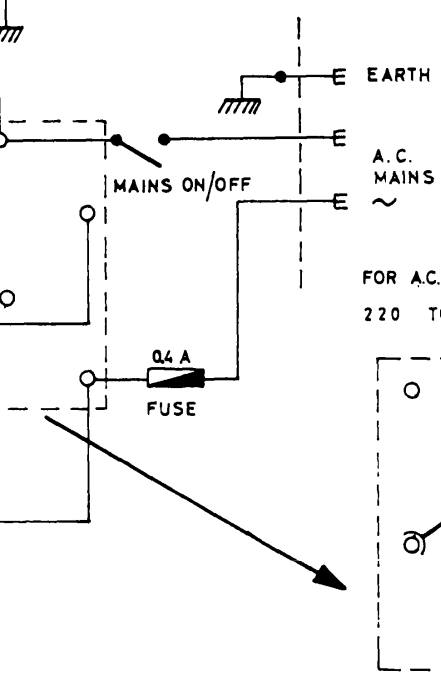
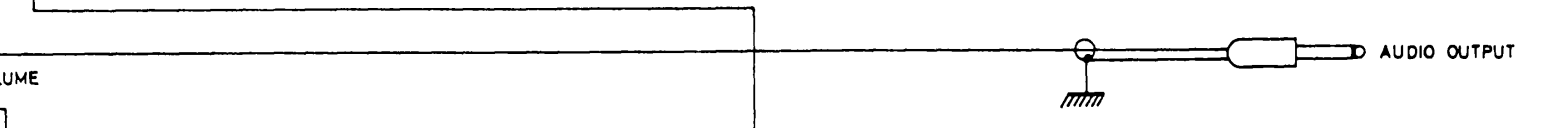
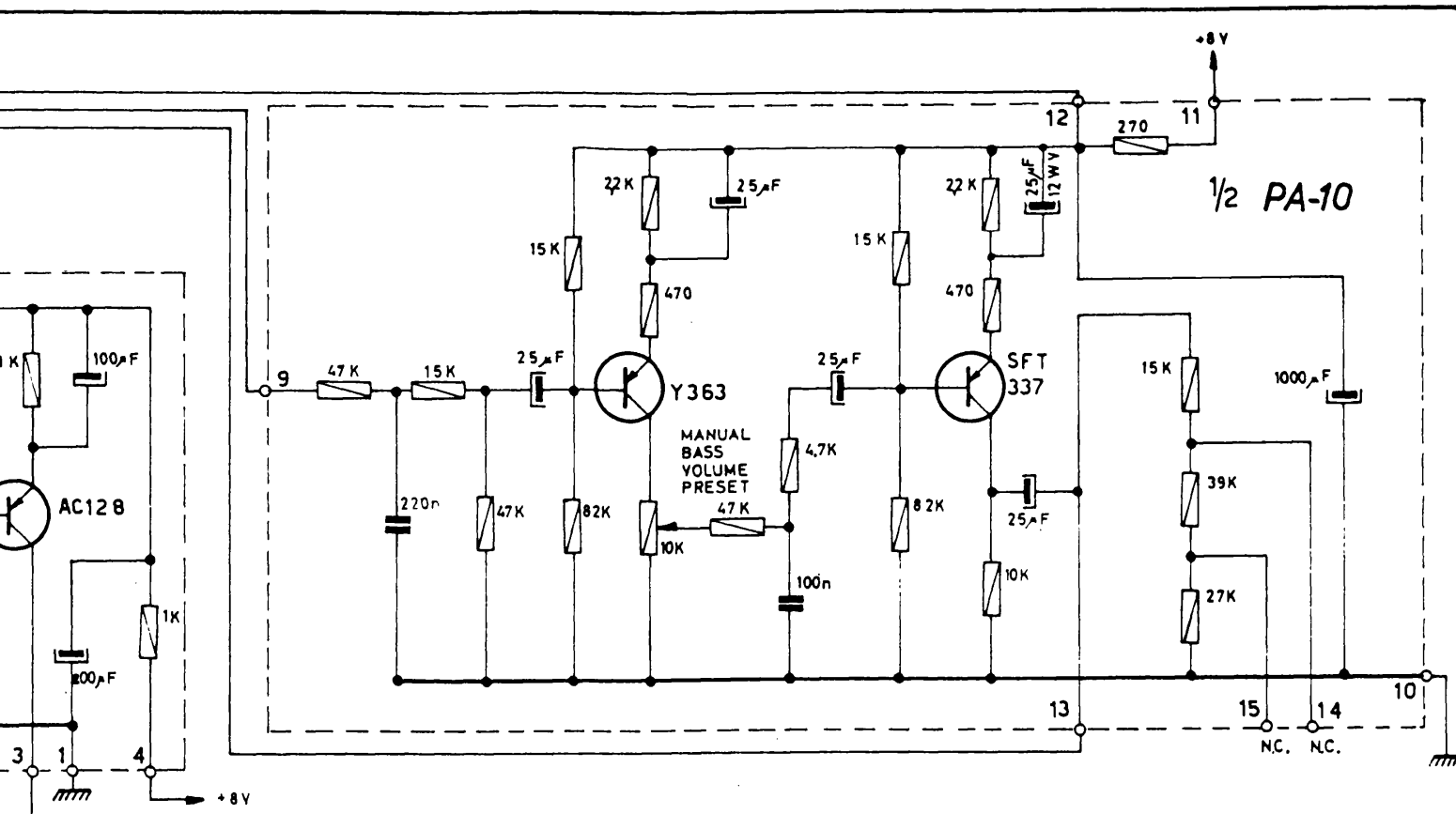


TREBLE	SLOW	OFF
GREY KEYS SELECTOR		VIBRATO
BASS	FAST	ON





POWER SUPPLY CHASSIS



1n (WITH VALUES OF CAPACITORS) EQUALS 1000 pF (1000µµF)
 ALL NON ELECTROLYTIC CAPACITORS 125WV UNLESS OTHERWISE INDICATED.
 PILOT LAMPS 12V 3W (PHILIPS TYPE 12384)
 — 1/2 WATT ; — 1 WATT ; — 10 WATTS
 ALL RESISTORS 10% UNLESS OTHERWISE INDICATED